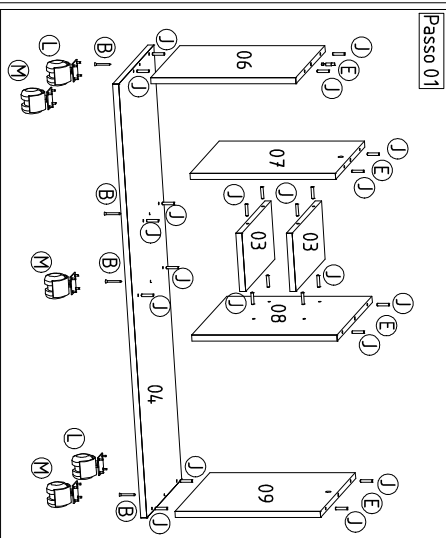


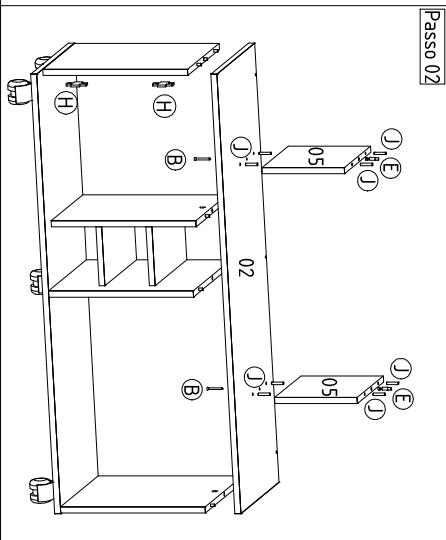


Obs: Usar caixa de embalagem para formar o chão na hora da montagem.
 Note: Use the packing box to cover the floor at the time of assembly.
 Nota: Utilize la caja de embalaje para cubrir el suelo en el momento del montaje.

COLIBRI - IND. COM. DE MÓVEIS LTDA.
 Rua Rouxinol, 5530 - Fone/Fax: (43) 3275 - 8600
 Pq. Industrial XI - CEP 86.706-418 - Arapongas - PR
 E-mail: sac@colibrinovis.com.br
 Site: www.colibrinovis.com.br

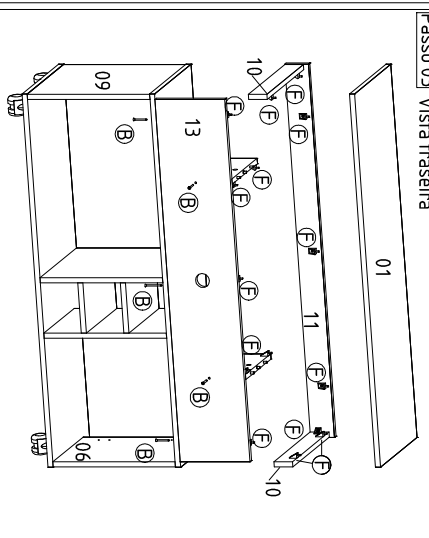


Passo 01

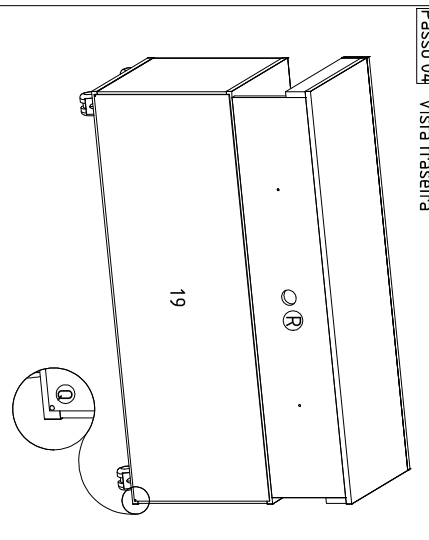


Passo 02

Cod.	Referencia	Cor	Pegças	Qt.	Medidas	M.p.	Piece	Pieza
01	1397A0.001	500	Tampo TV	1	1080x360x15	MDP	TV top	Teléfonos Móviles
02	1397A0.002	500	Base DVD	1	1080x360x15	MDP	DVD Base	Base DVD
03	1397A0.003	500	Prateleira adega	2	300x145x15	MDP	Wine cellar shelf	Estanteria de bodega
04	1397A0.004	500	Base inferior	1	1080x360x15	MDP	Bottom base	Base inferior
05	1397A0.005	500	Apoio tampo TV	2	250x205x15	MDP	TV top support	Soporte de TV
06	1397A0.006	12	Lateral esq	1	360x300x15	MDP	Left side	Lateral izquierda
07	1397A0.007	12	Lateral esq adega	1	360x300x15	MDP	Lateral wine cellar	Lateral esq bodega
08	1397A0.008	500	Lateral dir adega	1	360x360x15	MDP	Central Division	División central
09	1397A0.009	500	Lateral dir	1	360x360x15	MDP	Lateral dir	Lateral dir
10	1397A0.010	500	Moldura lateral	2	360x55x15	MDP	Side frame	Marco lateral
11	1397A0.011	500	Moldura frontal	1	1080x70x15	MDP	Front frame	Marco frontal
12	1397A0.012	12	Porta	1	386x355x15	MDP	Door	Puerta
13	1397A0.013	500	Suporte tampo TV	1	1048x220x15	MDP	TV top support	Soporte de TV
14	1397A0.014	500	Prateleira painel	1	1080x120x15	MDP	Shelf panel	Estanteria panel
15	1397A0.015	500	Painel superior	1	1080x450x15	MDP	Top panel	Painel superior
16	1397A0.016	500	Painel inferior	1	1080x450x15	MDP	Bottom panel	Painel inferior
17	1397A0.017	99	Travessa central	1	400x70x15	MDP	Central beam	Travessa central
18	1397A0.018	500	Travessa lateral	2	900x70x15	MDP	Lateral crossbar	Travessa lateral
19	1397A0.019	500	Fundo	1	1064x376x3	HDF	Bottom	Fondo
20	1397A0.020	99	Travessa	2	770x80x15	MDP	Travessa	Travessa



Passo 03 Vista traseira

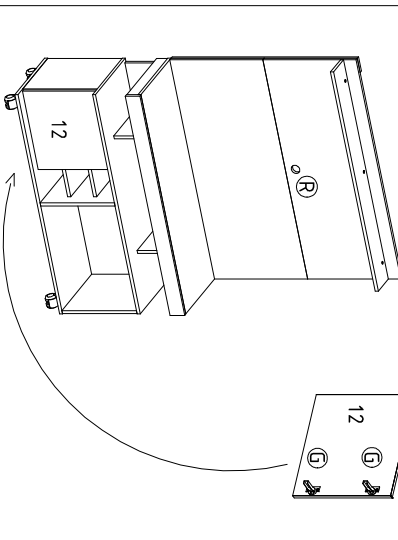
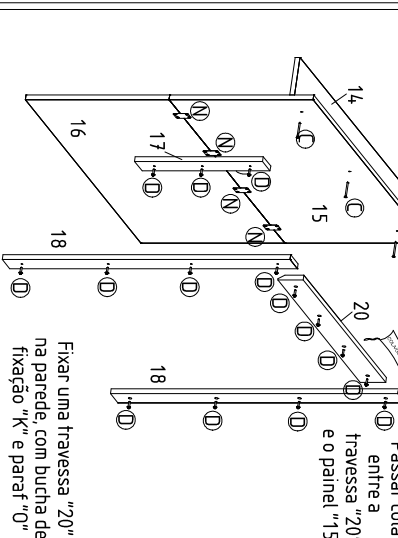


Passo 04 Vista traseira

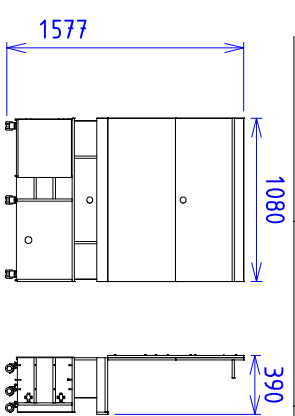
A		Parafuso 3,5 x 14,4 / Screw 3,5 x 14,4 / Tornillo 3,5 x 14 - 76
F		Parafuso 4,0 x 40mm / Screw 4,0 x 40mm / Tornillo 4,0 x 40mm - 11
K		Dobradiça reia 26 mm / Straight hinge 26 mm / Soporte Angular - 16
L		Calço 3mm dobr / Shim 3mm dobr / Calço 3mm bisagra - 02
P		Rodizio sem trava / Rodizio without lock / Rodizio sin bisagra - 03
Q		Chapa reia 4 furos / Straight plate 4 holes / Placa reia 4 agujeros - 04
R		Parafuso 4,0 x 25 / Screw 4,0 x 25 / Tornillo 4,0 x 25 - 15
T		Parafuso 6 x 30 / Dowel Pin 6 x 30 / Clavija 6 x 30 - 32
U		Parafuso 5,0 x 50mm / Screw 5,0 x 50mm / Tornillo 5,0 x 50mm - 04

Passo 05

Passo 06



Passar cola entre a travessa "20" e o painel "15"
 Fixar uma travessa "20" na parede, com bucha de fixação "K", e paraf "O"



Produto montado - Comp: 1080mm / prof: 390mm / alt: 1577mm